

Product-Datasheet KFK-D

Stainless steel- flange ball valve – short face-to-face length



von Scheven

Armaturenfabrik und Apparatebau

E	V40
	001
	state 10/09

Rudolf von Scheven GmbH
Wuppertaler Str. 10-12, 45549 Sprockhövel
www.von-scheven.com

Tel. + 49 (0)23 24 / 97 42 - 0
Fax + 49 (0)23 24 / 97 42 - 10
eMail sales@von-scheven.com

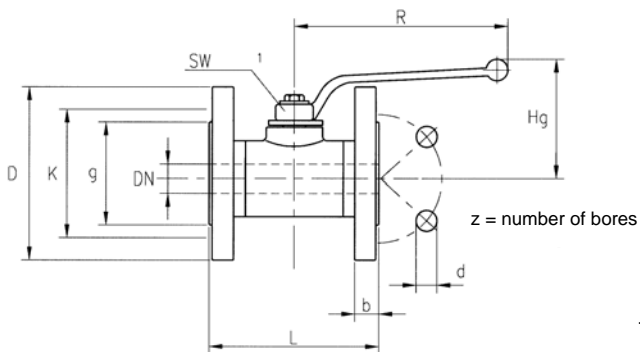
**Stainless steel –
Flange ball valve**
DN 15 - 200
PN max. 40 bar



Face-to-face length
KFK - EN 558-1 type G27

Type series
25 - PN10 acc. to DIN EN 1092-1
26 - PN16 acc. to DIN EN 1092-1
27 - PN25 acc. to DIN EN 1092-1
28 - PN40 acc. to DIN EN 1092-1

Approvals:
TÜV-type-test-approval mark
DVGW for Gas: DN15 up to DN200 max. PN16
TA-Luft



Flansch-Kugelhähne mit den Nennweiten DN 15 bis DN 50 der Baureihe 28 (PN40) werden je nach Verfügbarkeit mit drehbaren Flanschen geliefert.

Technical data type series 25 (PN10 acc. To DIN EN 1092-1)

DN	PN	L	D	g	K	b	z	d	Hg	R	SW1	Weight (kg)
15 - 50	10											use ball valves acc. to type series 28 (PN40)
65	10											use ball valves acc. to type series 26 (PN16)
80	10											use ball valves acc. to type series 28 (PN40)
100 - 150	10											use ball valves acc. to type series 26 (PN16)
200	10	400	340	268	295	24	8	22	260	700	27	108

Technical Data type series 26 (PN16 acc. To DIN EN 1092-1)

DN	PN	L	D	g	K	b	z	d	Hg	R	SW1	Weight (kg)
15 - 50	16											use ball valves acc. to type series 28 (PN40)
65	16	170	185	122	145	20	41)	18	158	250	17	20,5
80	16											use ball valves acc. to type series 28 (PN40)
100	16	190	220	158	180	20	8	18	194	350	22	36,0
125	16	325	250	188	210	26	8	18	195	500	22	50,0
150	16	350	285	212	240	22	8	22	225	700	27	72,0
200	16	400	340	268	295	30	12	22	260	700	27	108

Product-Datasheet KFK-D

Stainless steel- flange ball valve – short face-to-face length



von Scheven

Armaturenfabrik und Apparatebau

E	V40
	001
	state 10/09

Rudolf von Scheven GmbH
Wuppertaler Str. 10-12, 45549 Sprockhövel
www.von-scheven.com

Tel. + 49 (0)23 24 / 97 42 - 0
Fax + 49 (0)23 24 / 97 42 - 10
eMail sales@von-scheven.com

Technical Data type series 27 (PN25 acc. To DIN EN 1092-1)												
DN	PN	L	D	g	K	b	z	d	Hg	R	SW1	Weight (kg)
15 - 150	25	use ball valves acc. to type series 28 (PN40)										
200	25	400	360	278	310	30	12	26	260	700	27	108

Technical data type series 28 (PN40 acc. to DIN EN 1092-1)												
DN	PN	L	D	G	K	b	z	d	Hg	R	SW1	Weight (kg)
15	40	115	95	45	65	16	4	14	69	130	10	2,4
20	40	120	105	58	75	18	4	14	71	130	10	3,3
25	40	125	115	68	85	18	4	14	82	160	10	4,4
32	40	130	140	78	100	18	4	18	117	250	17	8,0
40	40	140	150	88	110	18	4	18	121	250	17	9,0
50	40	150	165	102	125	20	4	18	128	250	17	13,0
65	40	170	185	122	145	22	8	18	158	250	17	20,5
80	40	180	200	138	160	24	8	18	181	368	22	29,5
100	40	190	235	162	190	24	8	22	194	368	22	36,0
125	40	325	270	188	220	26	8	26	212	368	22	50,0
150	40	350	300	218	250	28	8	26	216	700	27	72,0
200	40	400	375	285	320	34	12	30	252	700	27	108,0

Ordering example: ball valve Type KFK-D DN100 with flange connector PN16 acc. to DIN EN 1092-1
⇒ KFK-D 100 26

Product-Datasheet KFK-D

Stainless steel- flange ball valve – short face-to-face length



von Scheven

Armaturenfabrik und Apparatebau

E	V40
	001
	state 10/09

Rudolf von Scheven GmbH
Wuppertaler Str. 10-12, 45549 Sprockhövel
www.von-scheven.com

Tel. + 49 (0)23 24 / 97 42 - 0
Fax + 49 (0)23 24 / 97 42 - 10
eMail sales@von-scheven.com

**Stainless steel-
Flange ball valve**
DN 15 - 200
PN max. 40 bar



Technical description

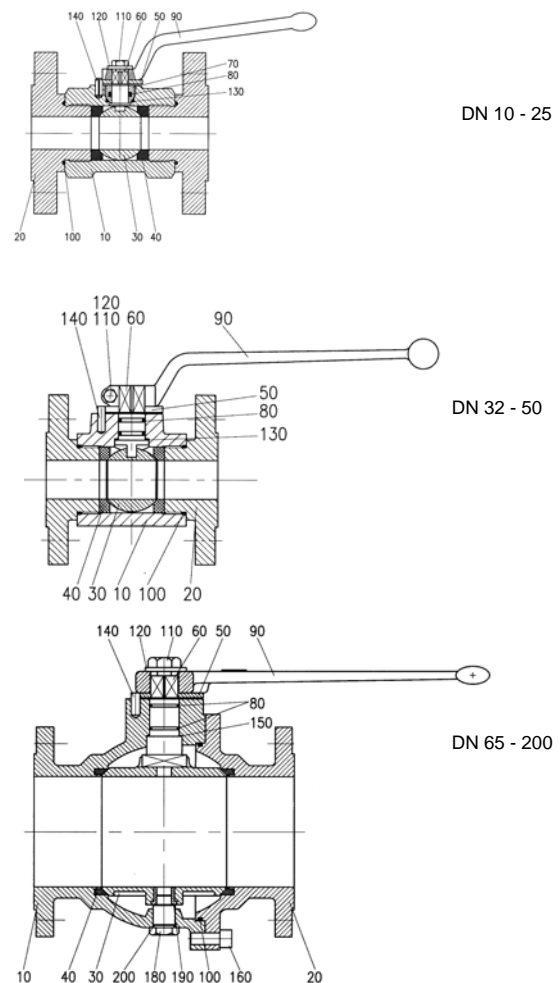
The ball valve type KFK-D (DN15-DN50) consists of a forged body with a screwed-in connector on both sides
From DN65 and above, two body parts are flanged together
The spindle has an anti-blowout design. The use of an actuator is possible with an extension set. This possibility is to be announced with your order (additional charge).

Application area:

For non-aggressive fluids and gases. Furthermore, the resistiveness against the flow medium generally has to be given.

Allowed operating temperature: -20 °C up to +160 °C
Differing temperatures on request.

Bill of materials			
Pos.	Name	Material	Wnr./DIN
10	Body	X6CrNiMoTi17-12-2	1.4571
		G-X5CrNiMo19-11-2	1.4408
20	Flange	X2CrNiMo17-12-2	1.4404
30	Ball	X2CrNiMo17-12-2	1.4404
40	Seal	PTFE	
50	Stop washer	X5CrNi18-10	1.4301
60	Spindle	X2CrNiMo17-12-2	1.4404
70	Screwing	X8CrNiS18-9	1.4305
80	O-Ring	FPM	---
90	Hand lever	Z410	
		AlMgSi1F31 GTW	
100	O-Ring	FPM	---
110	Screw	Edelstahl	DIN EN ISO 2-4017
120	nut	Edelstahl	DIN EN ISO 4032
	Washer	Edelstahl	DIN EN ISO 7093
130	O-Ring	FPM	---
140	Stop pin	1.4305	DIN EN ISO 8740
150	Sliding ring	PTFE	
160	Srew	VA	
180	Stud	X8CrNiS18-9	1.4305
190	busher	X2CrNiMo17-12-2	1.4404
200	O-Ring	FPM	



Depending on the design, not all positions are used with every nominal diameter. In special types, several parts may be made of different materials. Flanged ball valves with turnable flanges are available in DN 15 up to DN 50.

If you have other demands, different from the here specified standard operational conditions, please feel free to request them separately.

The operating and maintenance manual and in particular the safety instructions have to be followed. They can be downloaded from www.von-scheven.com, as well as certificates and approvals.

All dimensions in mm.
Technical changes reserved.