



High-pressure block ball valve HBI-D, stainless steel

With female thread

DN 4 - 25 mm PN max. 500 bar

Series 06 – female thread on both sides DIN EN ISO 228-1
42 – NPT female thread ANSI/ASME B1.20.1

Face-to-face lengths DIN 3202 – 4 series M3

Temperature range Standard: -10°C bis +90°C
On request: -50°C bis +250°C

Range of use Liquids: Liquids group 1 and 2 according to PED 2014/68/EU Article 13
Gases: Liquids group 1 and 2 according to PED 2014/68/EU Article 13
As a matter of principle, the resistance to the flow medium must be ensured.

Technical specification The HBI-D type ball valve consists of a block body with connector screwed in on both sides. The stem is fitted blowout-proof. Actuators can be attached by means of an extension kit. This retrofit requirement must be specified when placing the order (additional charge).

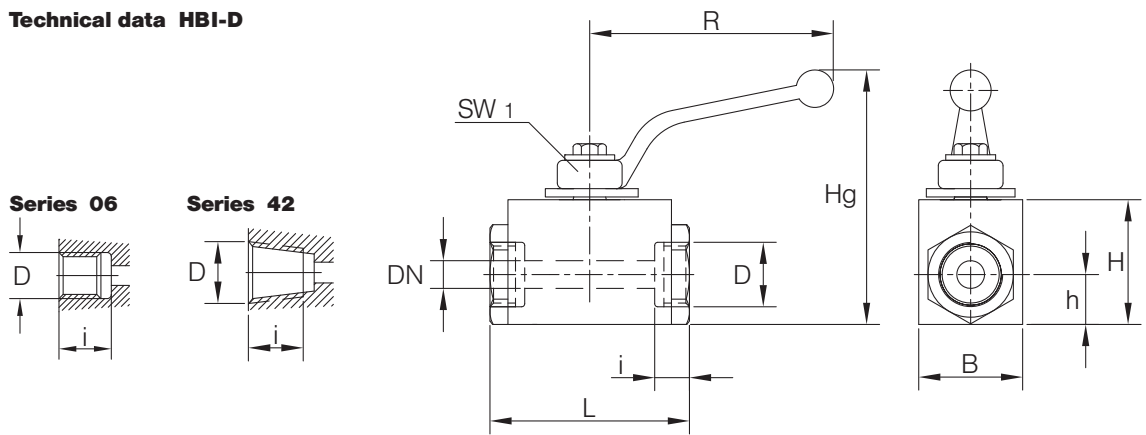
Please ask separately for requirements that exceed the standard conditions of use listed in this data sheet.

As a matter of principle, the safety information provided in the operating and servicing manual must be observed!

The operating and servicing manuals as well as the approval certificates can be downloaded at www.von-scheven.de.

We reserve the right to carry out technical modifications.

Technical data HBI-D



Series 06 (female thread on both sides DIN EN ISO 228 - 1)

| DN mm | PN bar | D | i mm | L mm | B mm | H mm | h mm | Hg mm | R mm | SW1 mm | Weight kg |
|-------|--------|--------|------|------|------|------|------|-------|------|--------|-----------|
| 4 | 500 | G 1/8" | 11.0 | 60* | 40 | 40 | 16 | 92 | 112 | 10 | 0.6 |
| 6 | 500 | G 1/4" | 12.5 | 60* | 40 | 40 | 16 | 92 | 112 | 10 | 0.6 |
| 10 | 500 | G 3/8" | 12.5 | 80* | 40 | 40 | 16 | 92 | 112 | 10 | 0.6 |
| 15 | 500 | G 1/2" | 16.0 | 75 | 45 | 45 | 19 | 85 | 130 | 10 | 1.1 |
| 20 | 400 | G 3/4" | 18.0 | 80 | 55 | 55 | 25 | 95 | 130 | 10 | 1.3 |
| 25 | 400 | G 1" | 20.0 | 90 | 65 | 65 | 30 | 111 | 160 | 10 | 2.2 |

*Deviating from face-to-face length M3; where necessary request face-to-face lengths in special version.

Series 42 (NPT female thread ANSI/ASME B1.20.1)

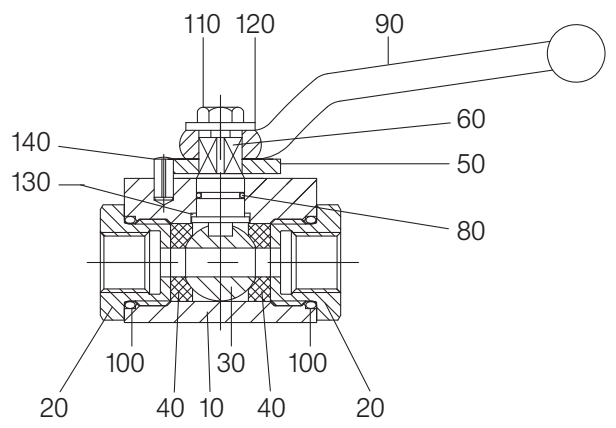
| DN mm | PN bar | D | i mm | L mm | B mm | H mm | h mm | Hg mm | R mm | SW1 mm | Weight kg |
|-------|--------|----------|------|------|------|------|------|-------|------|--------|-----------|
| 4 | 500 | NPT 1/8" | 11.0 | 60* | 40 | 40 | 16 | 92 | 112 | 7 | 0.60 |
| 6 | 500 | NPT 1/4" | 12.5 | 60* | 40 | 40 | 16 | 92 | 112 | 7 | 0.60 |
| 10 | 500 | NPT 3/8" | 12.5 | 80* | 40 | 40 | 16 | 92 | 112 | 10 | 0.60 |
| 15 | 500 | NPT 1/2" | 15.0 | 75 | 45 | 45 | 19 | 85 | 130 | 10 | 1.10 |
| 20 | 400 | NPT 3/4" | 18.0 | 80 | 55 | 55 | 25 | 95 | 130 | 10 | 1.30 |
| 25 | 400 | NPT 1" | 20.0 | 90 | 65 | 65 | 30 | 111 | 160 | 10 | 2.21 |

*Deviating from face-to-face length M3; where necessary request face-to-face lengths in special version.

Example of order: Ball valve type HBI-D DN 15 made of stainless steel with female thread DIN EN ISO 228-1 (Series 06) **HBI-D 15 06**

Parts list HBI-D

| Pos. | Designation | Material* |
|------|--------------|------------------|
| 10 | Body | Stainless steel |
| 20 | Fitting | Stainless steel |
| 30 | Ball | Stainless steel |
| 40 | Seal | POM |
| 50 | Stop washer | Stainless steel |
| 60 | Stem | Stainless steel |
| 80 | O-ring | NBR |
| 90 | Hand lever | Zinc die-casting |
| 100 | O-ring | NBR |
| 110 | Bolt | |
| 120 | Washer | |
| 130 | Sliding ring | PTFE |
| 140 | Stop pin | |



*Standard (can vary according to nominal width), other materials on request. Due to the design, not all items are used for all nominal widths.