



Ball valve NSK-AL-C, steel With detachable weld ends

DN 8 - 50 mm PN max. 40 bar

Series 40 – with detachable weld ends on both sides

Temperature range Standard: -10°C to +150°C
On request: -50°C to +250°C

Range of use Liquids: Liquids group 1 and 2 according to PED 2014/68/EU Article 13
Gases: Liquids group 1 and 2 according to PED 2014/68/EU Article 13
As a matter of principle, the resistance to the flow medium must be ensured.

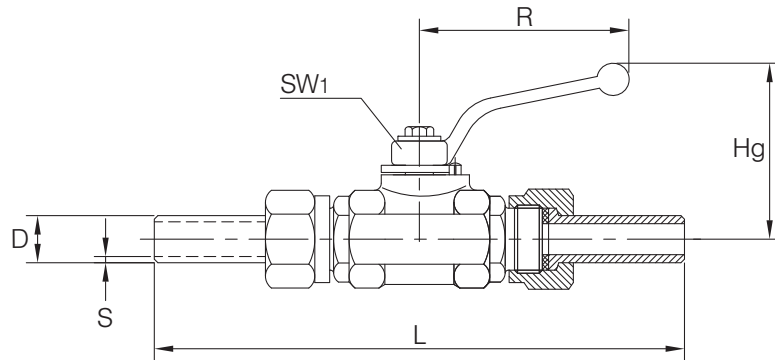
Technical specification NSK-AL-C type ball valve is designed as a ball valve with detachable weld ends on both sides. Through the flat sealing, detachable weld ends on both sides, a self-contained fitting can be quickly replaced without the line having to be widened. The stem seal is maintenance-free.

Please ask separately, where requirements exceed the standard conditions of use listed in this data sheet.

As a matter of principle, the operating and maintenance instructions, in particular the safety instructions must be observed!
Operating and maintenance instructions as well as the approval certificates can be downloaded at www.von-scheven.de.

We reserve the right to carry out technical modifications.

Technical data NSK-AL-C



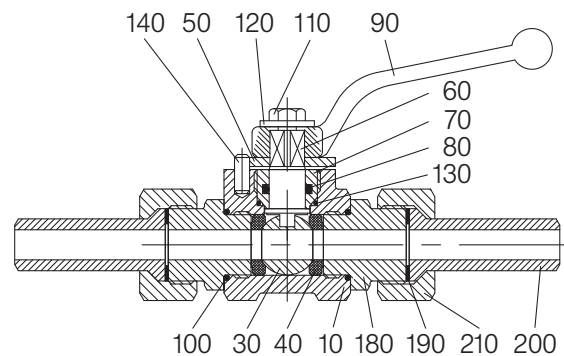
DN mm	PN bar	D* mm	S* mm	L mm	Hg mm	R mm	SW1 mm	Weight kg
8	40	12.2	2.3	181	77	112	10	0.6
10	40	17.2	2.3	181	77	112	10	0.7
15	40	21.3	2.6	198	89	130	10	1.0
20	40	26.9	3.2	204	71	130	10	1.5
25	40	33.7	3.2	226	82	160	10	2.2
32	40	42.4	3.2	253	117	250	17	3.5
40	40	48.3	3.2	354	121	250	17	4.3
50	40	60.3	3.6	400	121	250	17	6.8

*Other pipe dimensions are possible on request.

Example of order: NSK-AL-C DN 15 type ball valve with detachable weld ends on both sides.
NSK-AL-C 15 40

Parts list NSK-AL-C

Pos.	Designation	Material*
10	Body	Forged body
30	Ball	Brass
40	Seal	PTFE
50	Stop washer	Steel
60	Stem	Brass
70	Fitting	Brass
80	O-ring	FPM
90	Hand lever	Zinc die-casting
100	O-ring	FPM
110	Bolt	
120	Washer	
130	O-ring	FPM
140	Stop pin	
180	Fitting	Steel
190	Seal	PTFE
200	Detachabe weld end	Steel
210	Union nut	Steel



*Standard (can vary according to nominal width), other materials on request.
Due to the design, not all items are used for all nominal widths.