



Ball valve as drain valve SEF-C, steel

With fixed weld end and closure cap

DN 8 - 50 mm PN max. 40 bar

Series 92 – with fixed weld end and closing cap as a drain valve

Temperature range Standard: -10°C to +150°C
On request: -50°C to +250°C

Range of use Liquids: Liquids group 1 and 2 according to PED 2014/68/EU Article 13
Gases: Liquids group 1 and 2 according to PED 2014/68/EU Article 13
As a matter of principle, the resistance to the flow medium must be ensured.

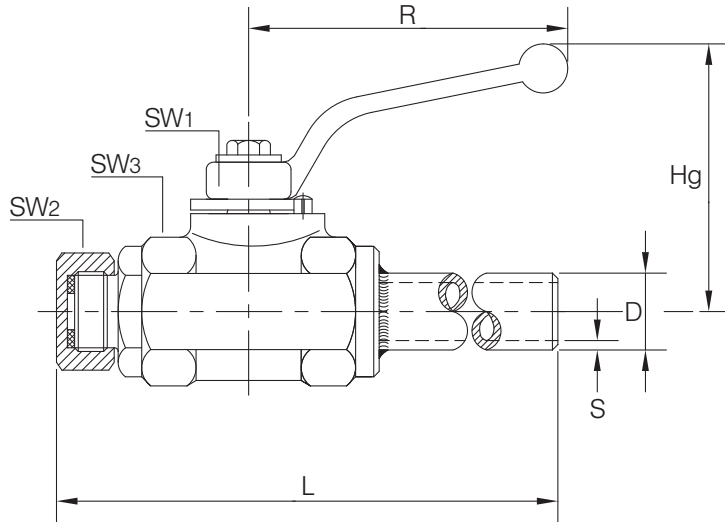
Technical specification The SEF-C ball valve is equipped as a drain ball valve with a one-sided fixed weld end as well as a male thread with closure cap and flat seal. The stem seal is maintenance-free.

Please ask separately, where requirements exceed the standard conditions of use listed in this data sheet.

As a matter of principle, the operating and maintenance instructions, in particular the safety instructions must be observed!
Operating and maintenance instructions as well as the approval certificates can be downloaded at www.von-scheven.de.

We reserve the right to carry out technical modifications.

Technical data SEF-C



2-way ball valves
with weld ends

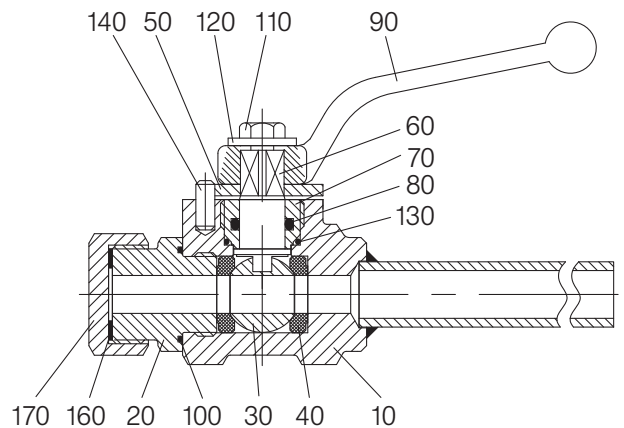
DN mm	PN bar	Cap	D* mm	S* mm	L mm	Hg mm	R mm	SW1 mm	SW2 mm	SW3 mm	Weight kg
8	40	G3/8"	12.2	2.3	267	77	112	10	19	32	0.6
10	40	G1/2"	17.2	2.3	275	77	112	10	23	32	0.7
16	40	G3/4"	21.3	2.6	283	67	130	10	29	46	1.0
20	40	G1"	26.9	3.2	293	71	130	10	36	46	1.5
25	40	G1 1/4"	33.7	3.2	310	82	160	10	44	55	2.2
32	40	G1 1/4"	42.4	3.2	310	82	160	17	44	55	3.5
40	40	G2"	48.3	3.2	350	121	250	17	65	Ø90	4.5
50	40	G2"	60.3	3.6	350	121	250	17	65	Ø90	6.3

*Other pipe dimensions are possible on request.

Example of order: SEF-C type ball valve made of steel, DN 25 with fixed weld end and closure cap as a drain valve
SEF-C 25 92

Parts list SEF-C

Pos.	Designation	Material*
10	Body	Forged steel
20	Fitting	Steel
30	Ball	Brass
40	Seal	PTFE
50	Stop washer	
60	Stem	Brass
70	Fitting	Brass
80	O-ring	FPM
90	Hand lever	Zinc die-casting
100	O-ring	FPM
110	Bolt	
120	Washer	
130	O-ring	FPM
140	Stop pin	
160	Washer	PTFE
170	closing cap	



*Standard (can vary according to nominal width), other materials on request.
Due to the design, not all items are used for all nominal widths.