



Ball valve VSK-C, steel

With weld ends, fully welded

DN 10 - 300 mm PN max. 40 bar

Series 40 – with weld ends, fully welded

Temperature range Standard: Operating pressure is dependent on the operating temperature
 PN 16 = -40 °C to +165 °C
 PN 25 = -40 °C to +140 °C
 PN 40 = -40 °C to +90 °C
 Other temperatures on request.

Range of use The ball valve is suitable for all non-corrosive media such as, e.g. district heating, heating water, cold water for air-conditioning, oil and compressed air.

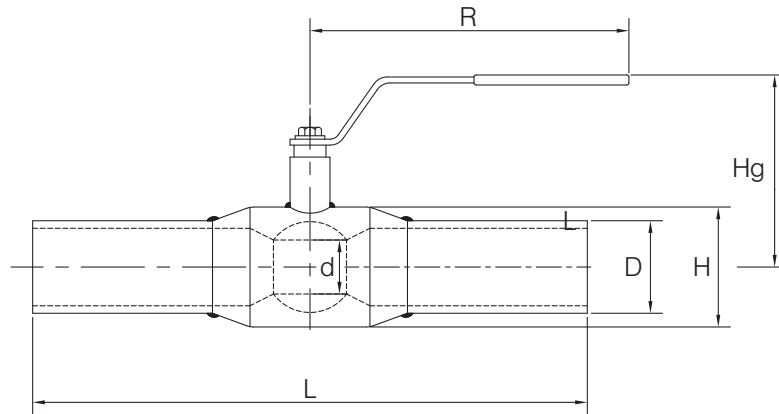
Characteristics Electric and pneumatic drive units can be subsequently retrofitted on all ball valves by means of special easy-to-fit ISO flanges.

Technical specification The complete valve body and weld ends are welded together. There are no potentially leaking flanged or bolted connections on the valve body. The blowout-proof stem is externally sealed with two O-ring seals and a graphite reinforced PTFE washer pressed on by the media pressure. System safety is ensured by the possibility of replacing the upper O-ring seal up to DN 50 and both O-ring seals from DN 65 to DN 250.

Due to the design, not all items are used for all nominal widths. Please ask separately, where requirements exceed the standard conditions of use listed in this data sheet. As a matter of principle, the operating and maintenance instructions, in particular the safety instructions must be observed! Operating and maintenance instructions as well as the approval certificates can be downloaded at www.von-scheven.de.

We reserve the right to carry out technical modifications.

Technical data VSK-C



2-way ball valves
with weld ends

DN mm	PN bar	d mm	D mm	H mm	Hg mm	R mm	L mm	Weight kg
10	40	10	17.2	33.7	98	145	230	0.5
15	40	10	21.3	33.7	98	145	230	0.5
20	40	15	26.9	42.4	103	145	230	0.7
25	40	20	33.7	48.3	118	145	230	1.0
32	40	25	42.4	60.3	121	145	260	1.4
40	40	32	48.3	70.0	120	190	260	1.8
50	40	40	60.3	88.9	127	190	300	2.6
65	25	50	76.1	101.6	159	280	300	4.4
80	25	65	88.9	121.0	171	280	300	5.6
100	25	80	114.3	146.0	218	280	325	8.4
125	25	100	139.7	177.8	252	400	325	13.4
150	25	125	168.3	219.1	272	600	350	18.0
200	25	150	219.1	273.0	300	900	390	36.3
250	25	200	273.0	355.6	345	1200	520	72.0
300	25	250	323.9	457.0	-	-	530	107.0

Example of order: VSK-C DN 25 type ball valves with weld ends, fully welded, steel
VSK-C 25 40